

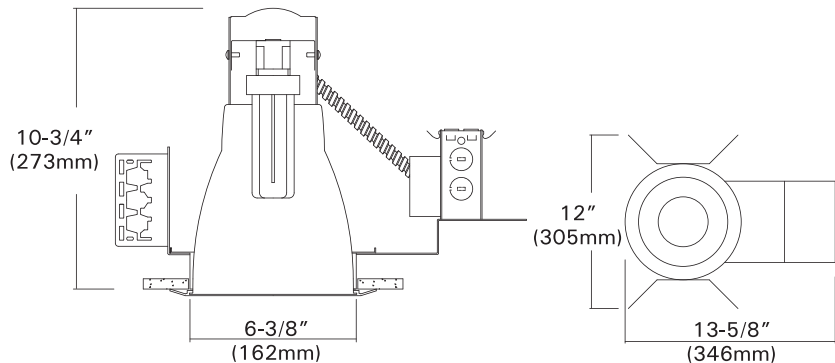
# DLF-166

## 6" Aperture NON-IC Architectural Frame-in-kit For

(1)13W, 18W, 26W, 32W, 42W or 57W DTT/TTT Lamps

Catalog #		Type
Project		Date
Prepared by		

**FLUORESCENT**



### DESCRIPTION

6" aperture frame-in kits for (1) vertical CFL lamps.  
These are designed for use in non-insulated ceiling for general and task lighting.  
Heat sink aluminium socket housing, with vertically adjustable lamp holder may produce various focuses for different lamp types.

### DESIGN FEATURES

Ceiling Cut-out : 6-1/2"  
Lamp, Max, Watt. : Max. 57W

#### • Mounting Ring

- 20-gauge CRS mounting ring, black-painted. 1-5/8" deep collar may use for various thickness of ceiling materials.

#### • Junction Box

- Listed for through branch circuit wiring. (Max. 8 No 12 AWG 90°C branch circuit conductors. (4 in, 4 out)
- (5) 1/2" knockouts with true pry-out slots and (4) knockouts with Romex cable clamp.
- Ground wire provided on J-box.

#### • Reflector

- Anodized clear, haze, gold, champagne, pewter color finished full reflectors. And anodized reflectors with black or white milled groove baffle collar, and glass lens for shower trim.

#### • Trim Ring

- White plastic ring or plated chrome, satin nickel, polished brass, natural steel color ring.

#### • Socket

- G24Q/GX24Q socket for use 4 pin DTT, TTT lamps.

#### • Socket Cup

- Heat sink aluminum cup with vertically adjustable lampholder is used to control multiple beam spreads.

#### • Mounting Channel Bracket

- Commercial mounting kit provided up to 5" vertical adjustment, which accommodates 1/2" EMT conduit, optional HB-24 or HBC-24 bar hanger or lathing channels for T-bar grid or concealed spline ceiling.

#### • Lamp

- Compact Fluorescent lamps.
  - \* DTT-Double twin tube (Quad/CFQ)
    - (1) 13W DTT (4 pin)
    - (1) 18W DTT (4 pin)
    - (1) 26W DTT (4 pin)
  - \* TTT-Triple Twin Tube (CFTR)
    - (1) 18W TTT (4 pin)
    - (1) 26W TTT (4 pin)
    - (1) 32W TTT (4 pin)
    - (1) 42W TTT (4 pin)
    - (1) 57W TTT (4 pin)

#### • Ballast

- Class P Thermally protected by internal fuse (3 amp fast blow), Multi-volt electronic ballast or thermal cut-out switch in magnetic ballast.
- High Power Factor Multi-volt Electronic ballasts for 4 pin type compact fluorescent lamps mounted on J-box door for easy access from inside of fixture.

#### \* Listing

- UL, c-UL listed for damp location.
- UL, c-UL listed for feed through.

#### • Optional "Quick Connect" Push-in wire connectors.

- Three "Quick Connectors"
- Pre-installed push-in wire connectors for fast and easy wiring.

### Ordering Information

Housing	Ballast	Lamp(s) Watt.	Option
DLF-166	-N : 120V NPF Magnetic -H : 120V HPF Magnetic -NE : 120V NPF Electronic -HE : 120V HPF Electronic	-E : 120V/277V HPF Electronic  113 : (1)13W 132 : (1)32W 118 : (1)18W 142 : (1)42W 126 : (1)26W 157 : (1)57W	-EM : Emergency w/ Remote Test Switch -C : Quick Connectors

Example : DLF-166-E113

# Trims

## 6" Vertical Compact Fluorescent Trims For

DLF-666, DLF-166, DLF-166R

Catalog #		Type
Project		Date
Prepared by		

**FLUORESCENT**

### TM-169R TM-169RF

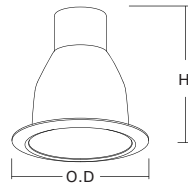
**Specular Open Reflector  
57W TTT, DTT**

White Plastic Trim Ring

O.D : 7-7/8"

Height : 7-1/4"

\*Symbol (RF) is for Self-flange



### TM-160B

**Baffle w/ Reflector  
57W TTT, DTT**

White Plastic Trim Ring

O.D : 7-7/8"

Height : 7-1/4"



### TM-161

**Wall Wash w/ Kick-off Plate  
57W TTT, DTT**

White Plastic Trim Ring

O.D : 7-7/8"

Height : 7-1/4"



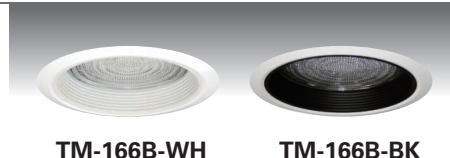
### TM-166B

**Baffle w/ Fresnel Lens  
42W TTT, DTT**

White Plastic Trim Ring

O.D : 7-7/8"

Height : 7-1/4"



### TM-166R

**Reflector w/ Fresnel Lens  
42W TTT, DTT**

White Plastic Trim Ring

O.D : 7-7/8"

Height : 7-1/4"



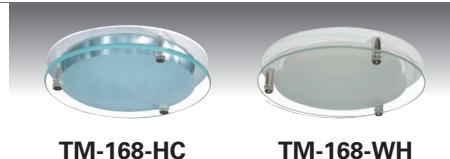
### TM-168

**Reflector w/ Frosted Drop Lens  
57W TTT, DTT**

White Metal Trim Ring

O.D : 7-7/8"

Height : 7-1/4"



### TM-168S

**Reflector w/ Frosted 3.5" Center  
Hole Lens  
57W TTT, DTT**

White Metal Trim Ring

O.D : 7-7/8"

Height : 7-1/4"



### TM-1659

**Reflector w/ Cross Louver Blade  
42W TTT, DTT**

White Plastic Trim Ring

O.D : 7-7/8"

Height : 7-1/4"



### TM-1654

**Reflector w/ Wall Wash Plate  
42W TTT, DTT**

White Plastic Trim Ring

O.D : 7-7/8"

Height : 7-1/4"



- ◆ White plastic ring standard. Also available with metal rings.
- ◆ All trims are damp location, Lens trims are wet location listed.

## ORDERING INFORMATION

Choose the catalog / finish codes that best suit your needs and enter it on the appropriate line.

TRIM MODEL	REFLECTOR	LENS	BAFFLE	METAL RING
	CL :Clear	FR :Fresnel	WH :White	WH :White
	WH :White	AS :All Sanded	BK :Black	BK :Black
	GD :Gold	CL :Clear	SN :Satin Nickel	SN :Satin Nickel
	MA :Matte Platinum	CV :Convex Prismatic	AN :Antique Nickel	AN :Antique Nickel
	CP :Champagne	AL :Albalite	AC :Antique Copper	AC :Antique Copper
	PR :Pewter		MO :Mocha	MO :Mocha
	HC :Haze Clear		CA :Cappuccino	CA :Cappuccino
			CH :Chrome	CH :Chrome
			UN :Natural Steel	UN :Natural Steel
			PB :Polished Brass	PB :Polished Brass

Examples:

TM-169R-HC-WP = Haze Clear Reflector

TM-160B-BK-WP = Black Baffle w/ Clear Reflector